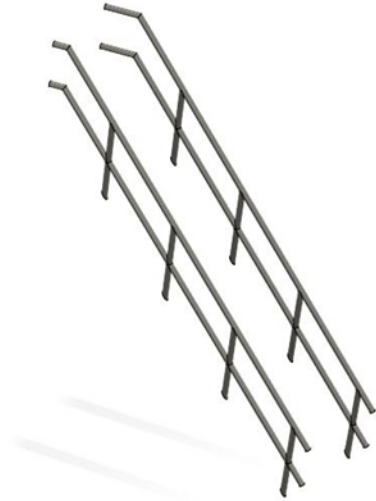
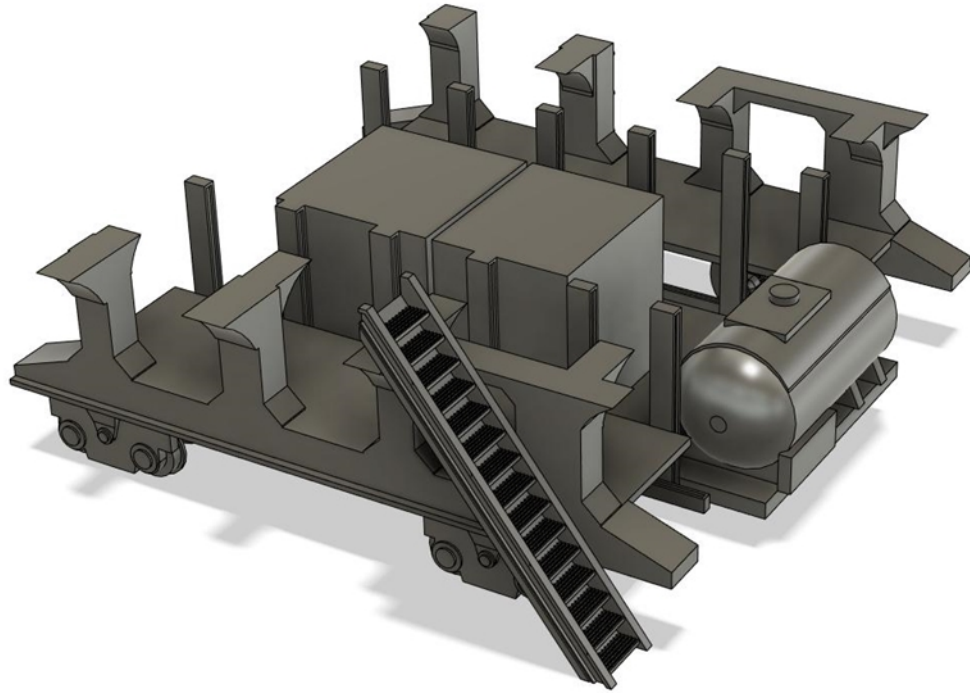
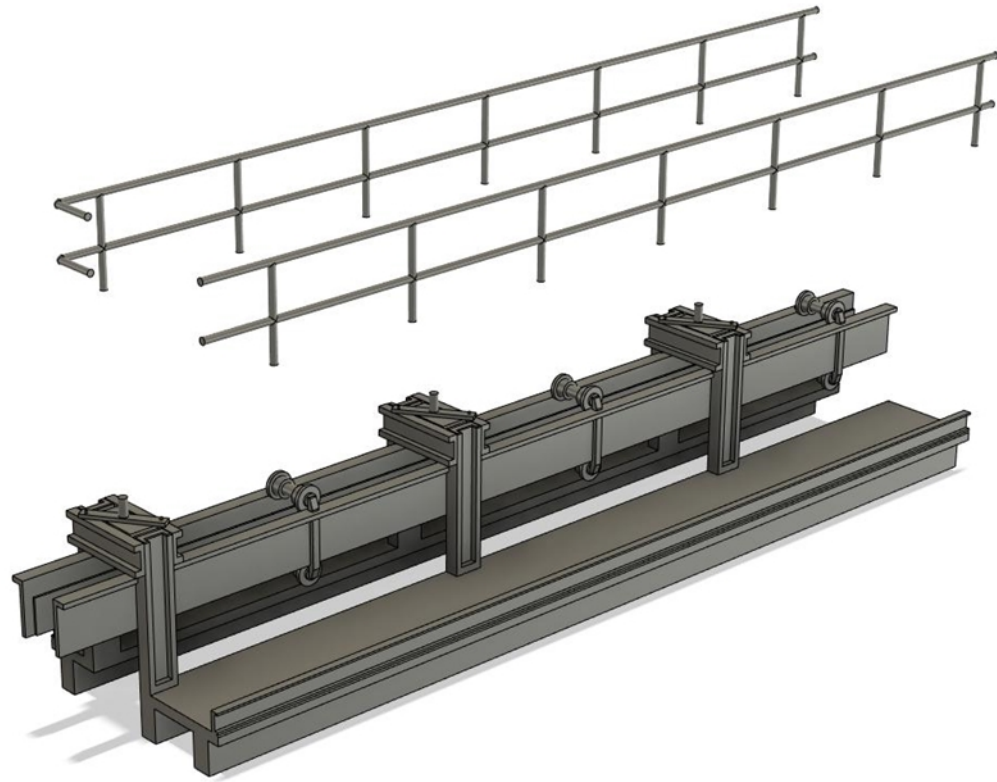


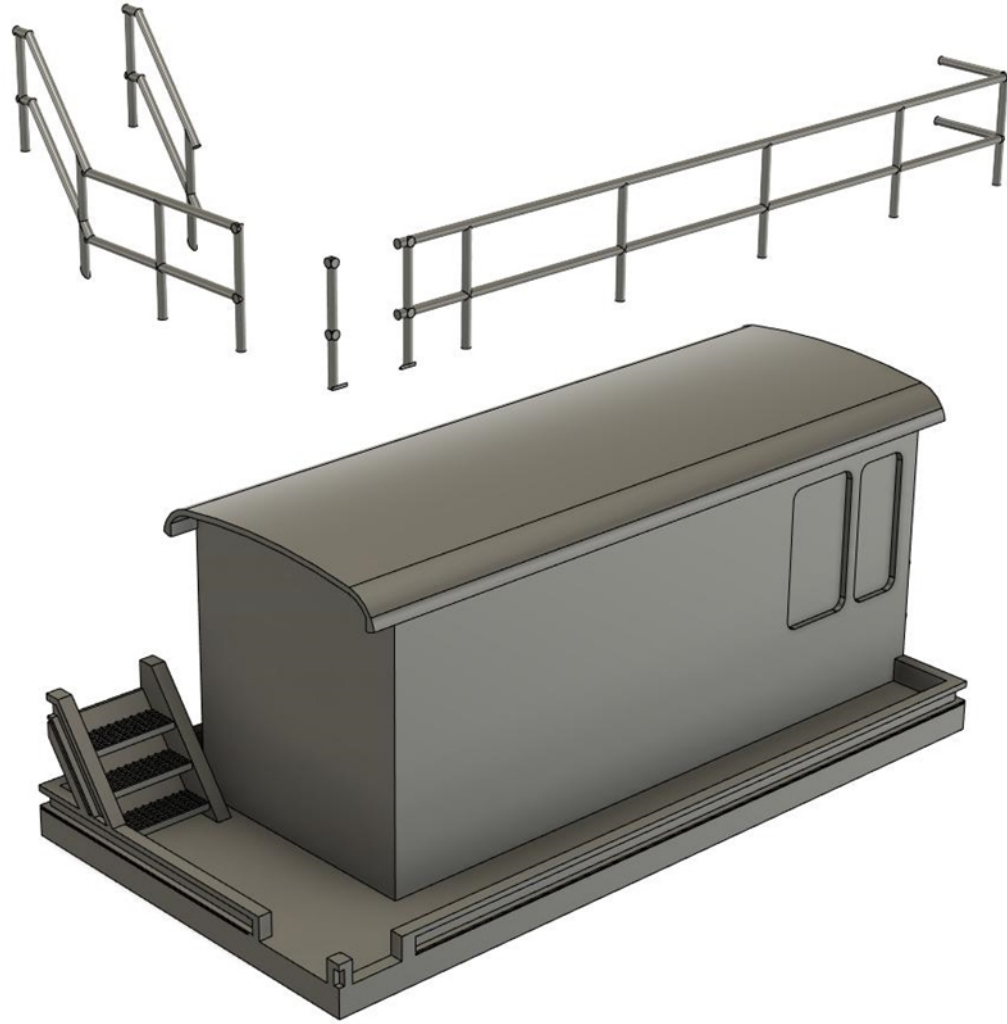
1



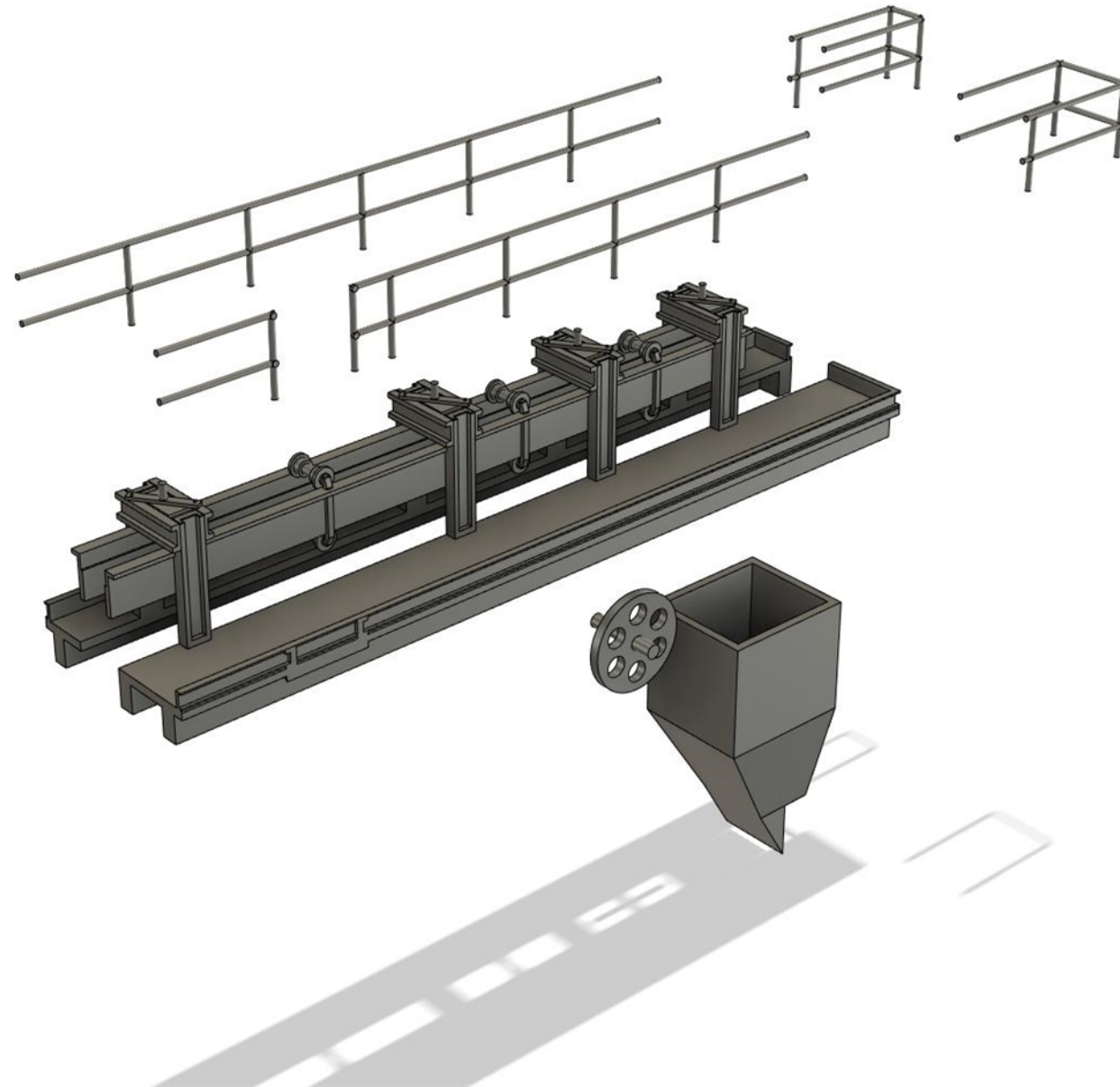
2



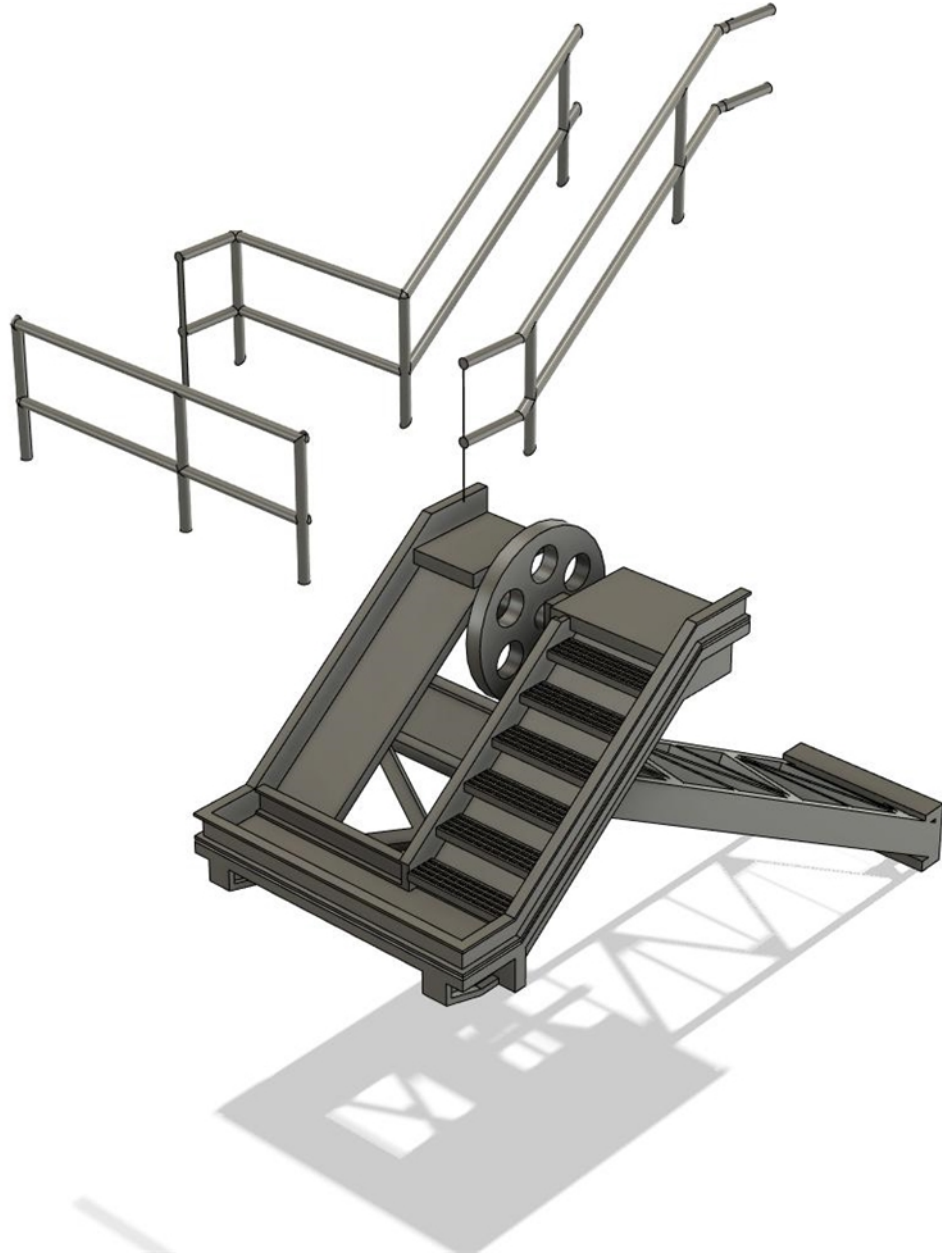
3



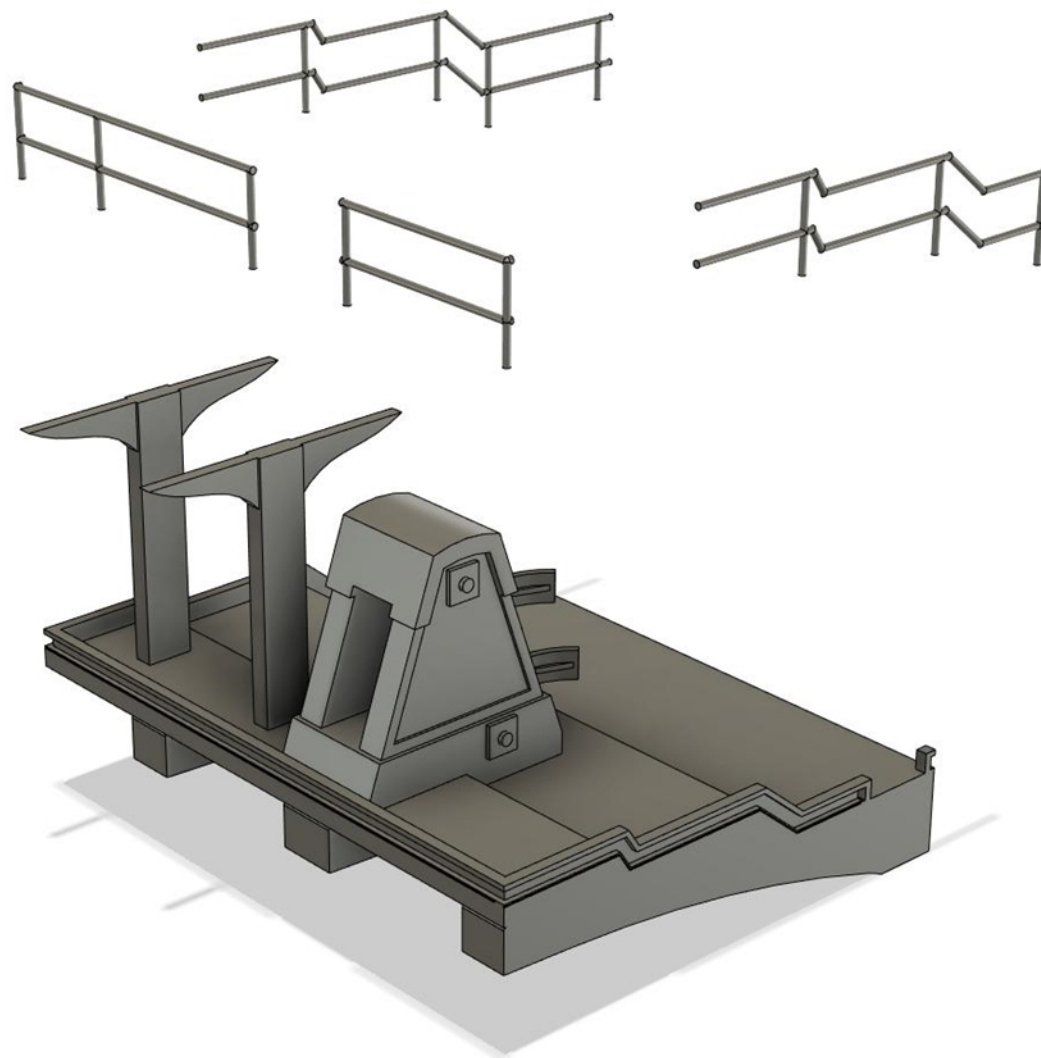
4



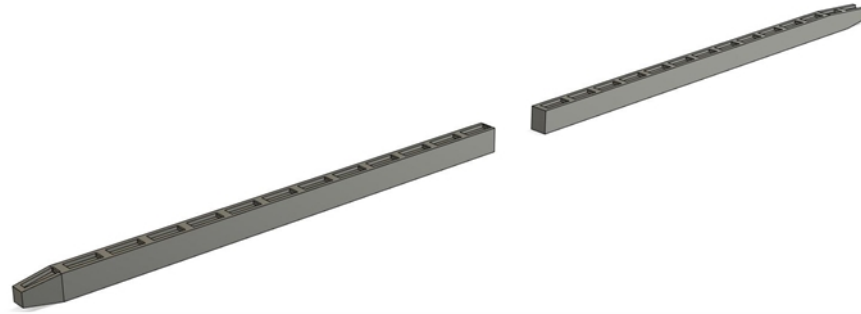
5



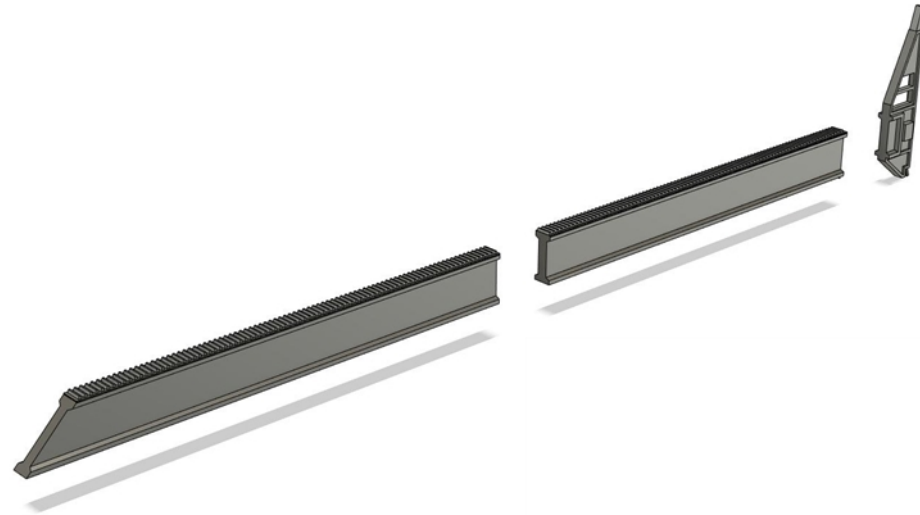
6



Pusher



Rack



Cylinders





7

