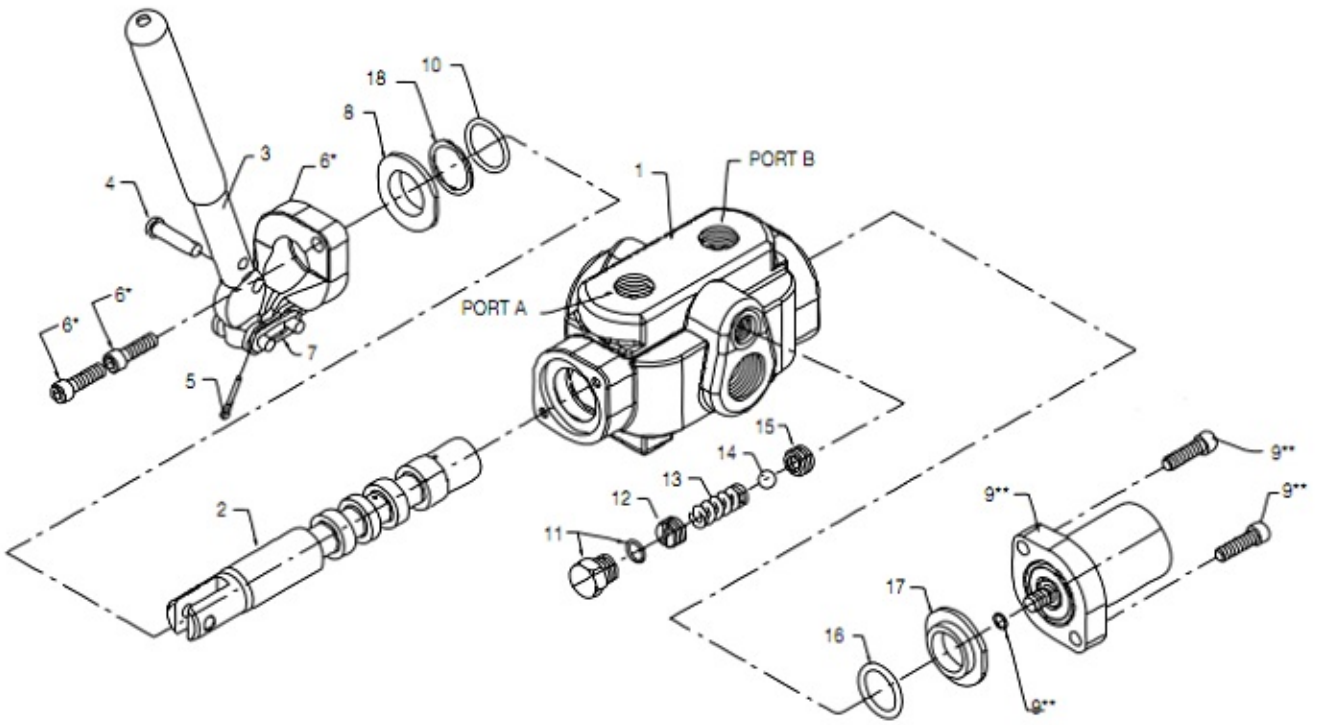


Zip Forest King 30 Full Pc Utorrent Activator 64 Latest



DOWNLOAD: <https://tinurli.com/2a1rr5>

Download

0b01ecef03

Related links:

https://wakelet.com/wake/hNHXg3l2e8ctpTV_VwEho
https://www.cloudschool.org/activities/ahFzfmNsb3Vkc2Nob29sLWFwcHI5CxIEVXNlchiAgMDA5dfDCwwLEgZDb3Vyc2UYgICA_7n_1QgMCxIIQWN0aXZpdHkYgICAv8GYmAgMogEQNTcyODg4NTg4Mjc0ODkyOA
<https://trello.com/c/MNzlyX/18-full-version-adobe-pho-registration-latest-torrent-pc-iso>

<https://assets.pinshape.com/uploads/image/file/461772/obebel.html>
<https://assets.pinshape.com/uploads/image/file/461775/raimutom.html>
<https://assets.pinshape.com/uploads/image/file/461774/brethazal.pdf>