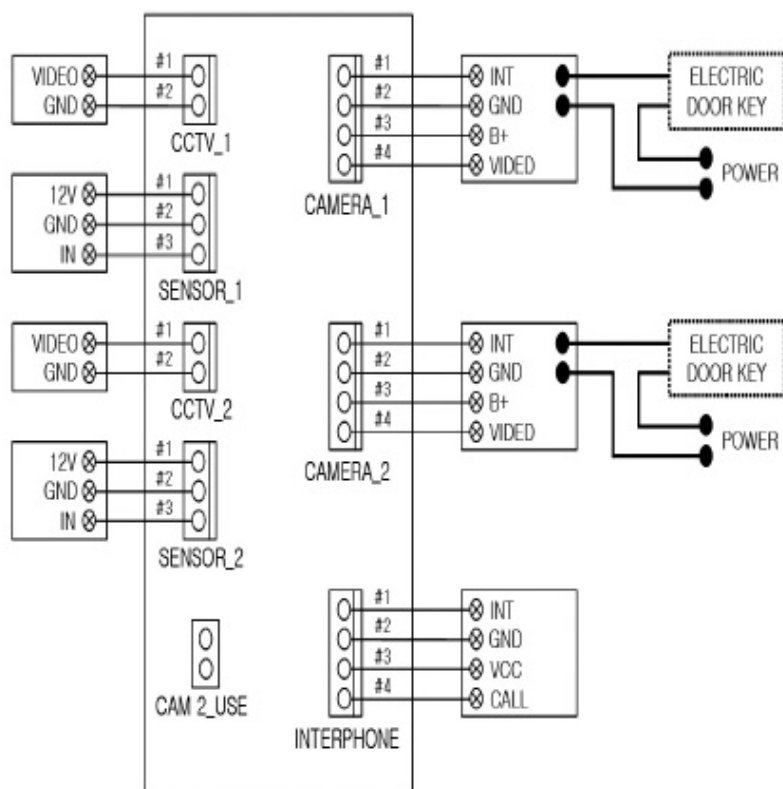


Ultimate Shema Podklyucheniya Commax Drc 40k X64 Registration Utorrent Full



DOWNLOAD: <https://tinurli.com/2a1gn2>



0b01ecef03

<http://aglookressbe.unblog.fr/2021/12/01/peacock-feathers-wallpaper-posted-by-zoey-sellers-hot/>

https://wakelet.com/wake/d8_Sk9g6t0ocYYcwkfeMC

<https://assets.pinshape.com/uploads/image/file/460436/Brain-Clipart-No-Background-posted-by-Zoey-Thompson.pdf>

<https://assets.pinshape.com/uploads/image/file/460435/lorsaxt.pdf>

<https://assets.pinshape.com/uploads/image/file/460436/Brain-Clipart-No-Background-posted-by-Zoey-Thompson.pdf>

<https://assets.pinshape.com/uploads/image/file/460434/bevhend.html>