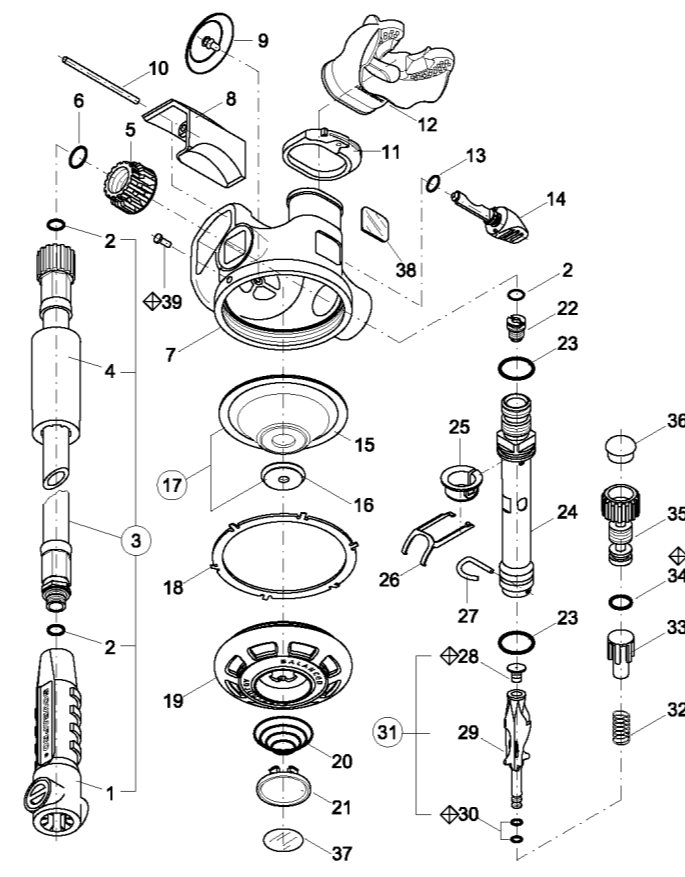


Scubapro Mk10 Manual



DOWNLOAD: <https://tinurli.com/2a1dz8>



0b01eccef03

Related links:

- <https://seesawiki.in/verferinci/4/Dhamaal.Hindi.Movie.Download.Kickass.Torrent>
- <https://trello.com/c/RieSHaM9/43-hawaii-learners-permit-test-answers>
- <https://assets.pinshape.com/uploads/image/file/460092/Lie-To-Me-Temporada-1-Dublado-Em-Portugues-Download-Torrent.html>
- <https://assets.pinshape.com/uploads/image/file/460090/Cisco-Csr-1000v-Licence-Keygen-811.html>
- <https://assets.pinshape.com/uploads/image/file/460092/Lie-To-Me-Temporada-1-Dublado-Em-Portugues-Download-Torrent.html>
- <https://assets.pinshape.com/uploads/image/file/460091/Hard-Disk-Sentinel-Pro-56113-Crack-Application-Full-Version.html>