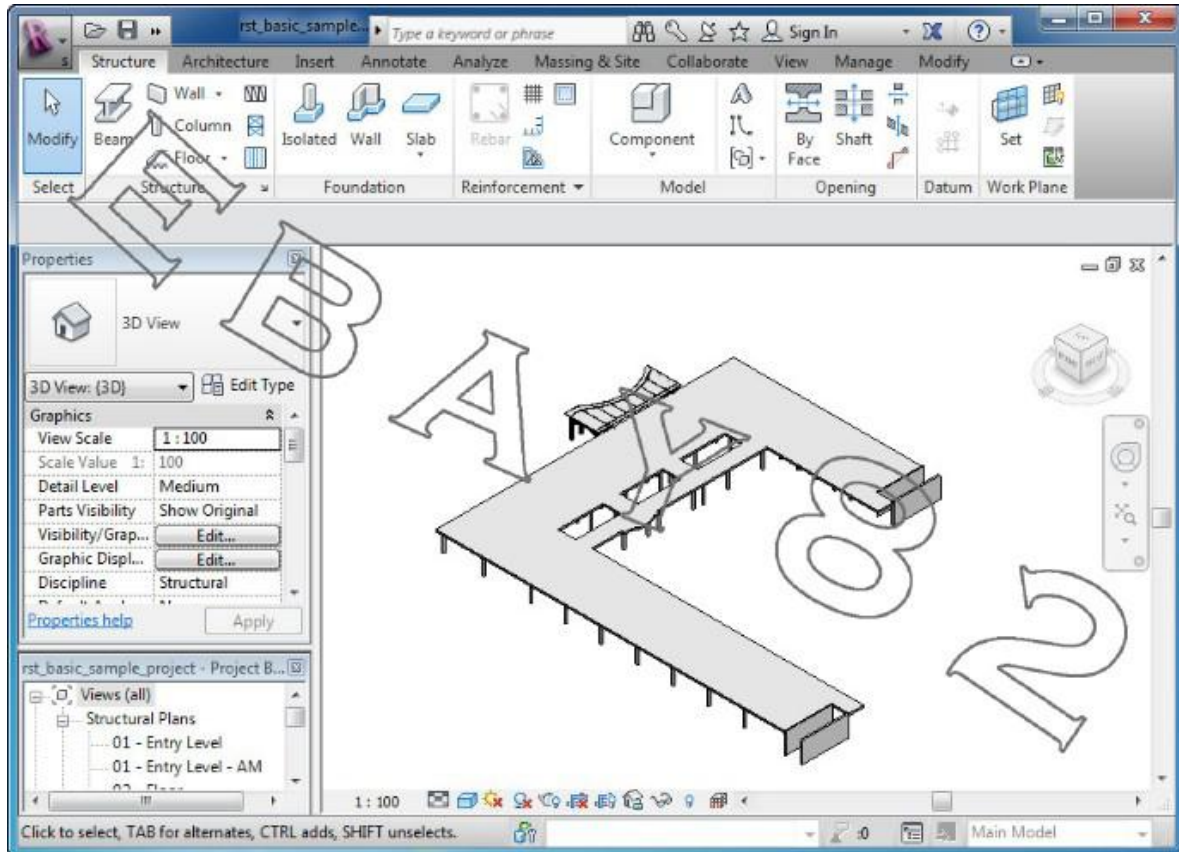


Collaboration For Revit 2008 Crack File Only 32 Bit



DOWNLOAD: <https://tinurli.com/29z5uy>



2957c398a2

Related links:

<https://denhett.wixsite.com/tenverssinle/post/daniel-wirtz-akustik-vooodoo-windows-64-activation-software-cracked>
<https://seesaawiki.jp/ricourtstalwhel/d/ TOP Watch Online Ab Tak Chhappan Dual Full Bluray Dubbed Subtitles>
<https://www.pixnet.net/pcard/765176019b22839452/article/00a12840-5236-11ec-9d17-710d5f804432>
<https://seesaawiki.jp/easleazneudast/d/Pthc2013NewCollectionTorrent>
<https://assets.pinshape.com/uploads/image/file/447666/Sims-3-Pets-Ts3ep05-20.html>

<https://assets.pinshape.com/uploads/image/file/447665/Tere-Pyaar-Ki-Kasam-1-full-movie-in-hindi-dubbed-hd-download.pdf>
<https://assets.pinshape.com/uploads/image/file/447663/jazmgaeta.html>
<https://assets.pinshape.com/uploads/image/file/447666/Sims-3-Pets-Ts3ep05-20.html>
<https://assets.pinshape.com/uploads/image/file/447662/red-gate-sql-developer-bundle-keygen-download.html>
<https://assets.pinshape.com/uploads/image/file/447664/add-in-express-crack-keygen-329.html>