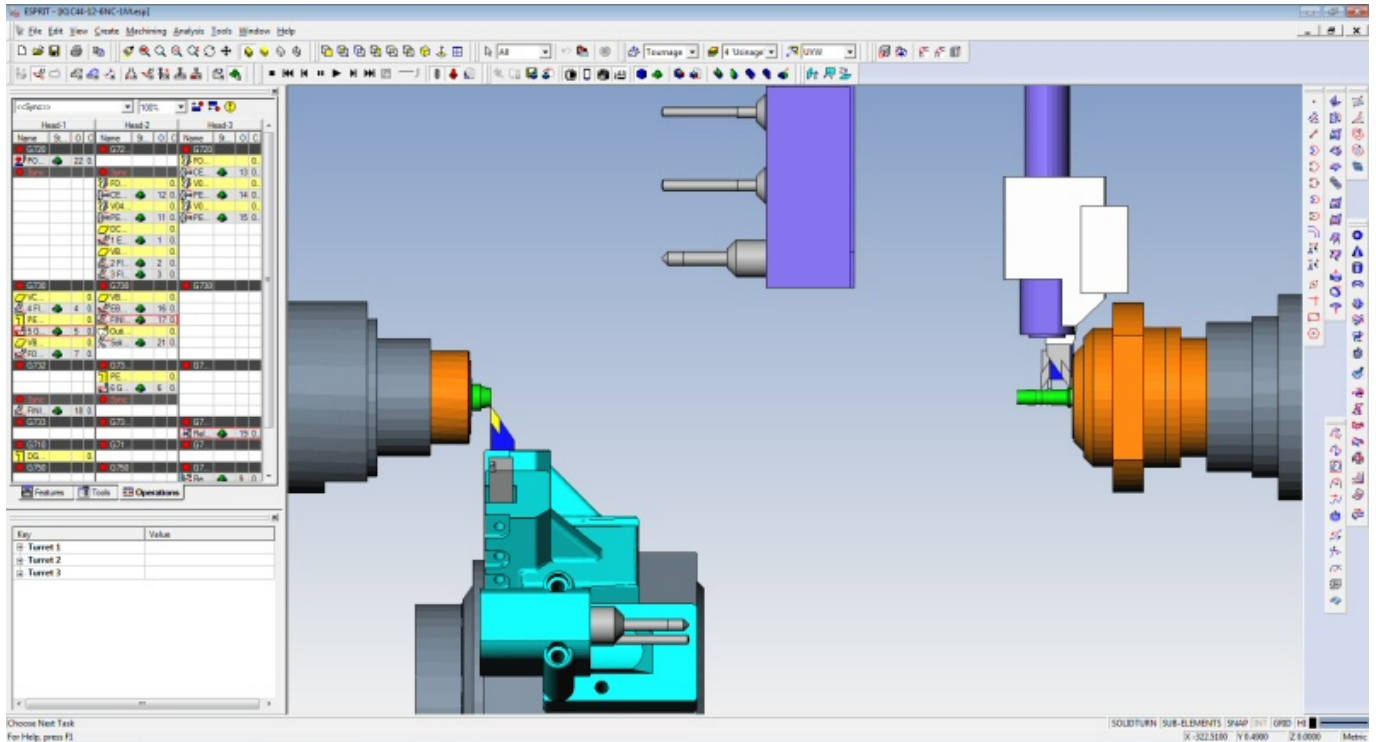


## National Instruments LabView 2018 X64x86x32 Serial Key



DOWNLOAD: <https://tinurli.com/29z2io>



2957c398a2

Related links:

- [https://seesaawiki.jp/ciaspeecherat/d/FlippingBook\\_Publisher\\_V.2.4\\_Crack\\_Serial\\_Keygen\\_Cd\\_Key.rar](https://seesaawiki.jp/ciaspeecherat/d/FlippingBook_Publisher_V.2.4_Crack_Serial_Keygen_Cd_Key.rar)
- <https://whitthecodofilsurf.wixsite.com/iclugardpar/post/s-rm-don-lawrence-36-morandi-colosseum-re-full-pdf-rar-torrent-ebook>
- <https://wakelet.com/wake/IxtfdEiC7qHwcFq7fsY4C>
- <http://telegra.ph/East-West-Quantum-Leap-Colossus-Keygen-Rar-11-30>

---

<https://assets.pinshape.com/uploads/image/file/447123/Oru-Maalai-Whistle-Ringtone-Download.html>

<https://assets.pinshape.com/uploads/image/file/447119/athgavr.html>

<https://assets.pinshape.com/uploads/image/file/447123/Oru-Maalai-Whistle-Ringtone-Download.html>

<https://assets.pinshape.com/uploads/image/file/447122/Dogma-AVGL130-Vomit-Enema-Ecstasyrar-emoticons-spesa-spor.html>

<https://assets.pinshape.com/uploads/image/file/447121/shanichr.html>

<https://assets.pinshape.com/uploads/image/file/447120/jammaehe.html>