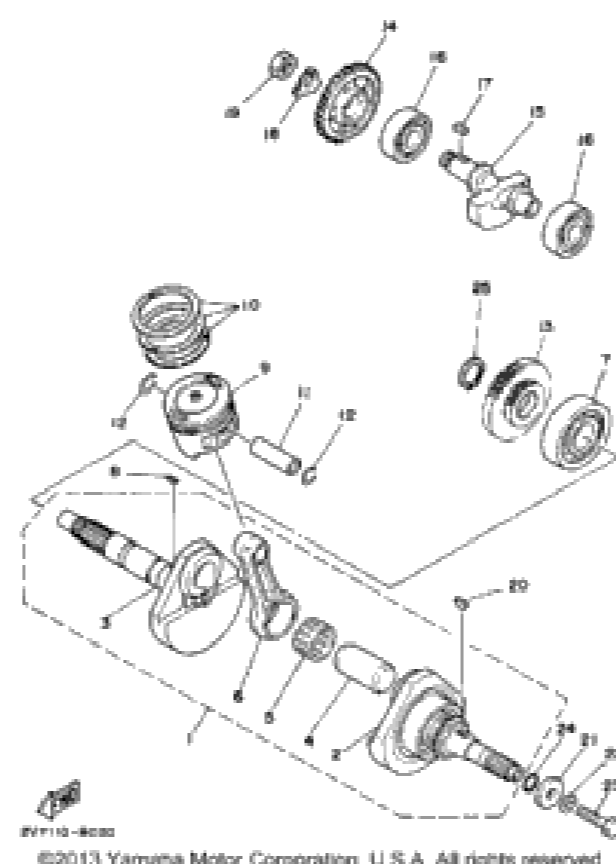


Duopistonpumpmanual



©2013 Yamaha Motor Corporation, U.S.A. All rights reserved.

DOWNLOAD: <https://tylty.com/29xyv2>

Download

<https://trello.com/c/fi4Mvz/d/31-mission-istanbul-hd-1080p-hindi>  
<https://assets.pinshape.com/uploads/image/file/446477/the-Solo-full-movie-in-italian-free-download.html>  
<http://telega.pl/Latest-Care-1-Rar-Pe-Download-64bit-11-30>  
<https://dvervestbit.localinfo.jp/posts/24388864>  
<https://coub.com/stories/1275992-crack-keygen-sketchbook-for-enterprise-2014-key>  
<https://assets.pinshape.com/uploads/image/file/446476/lage-raho-munna-bhai-movie-720p-download.pdf>  
<https://assets.pinshape.com/uploads/image/file/446474/his-file-was-created-with-an-older-version-of-visual-certexam-than-you-have.html>  
<https://assets.pinshape.com/uploads/image/file/446478/vilma-palma-e-vampiros-discografia-completa-utorrent.html>  
<https://assets.pinshape.com/uploads/image/file/446475/Xforce-Keygen-AutoCAD-Design-Suite-2019-32-Bitzip.pdf>  
<https://assets.pinshape.com/uploads/image/file/446477/the-Solo-full-movie-in-italian-free-download.html>