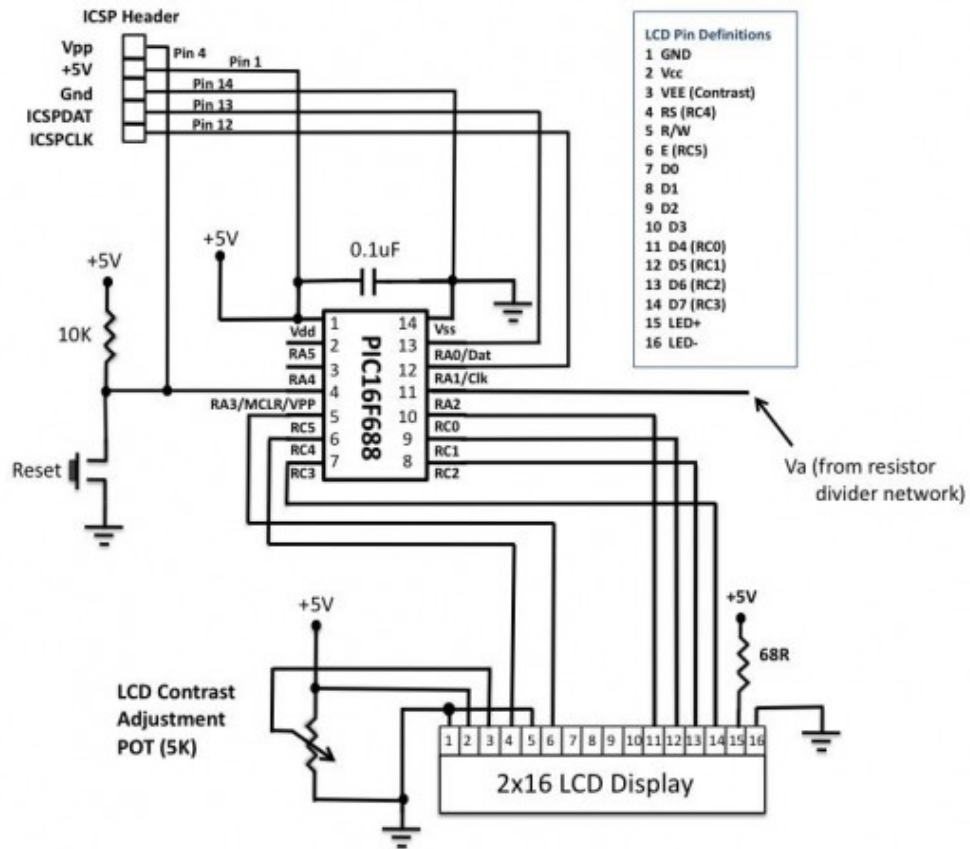
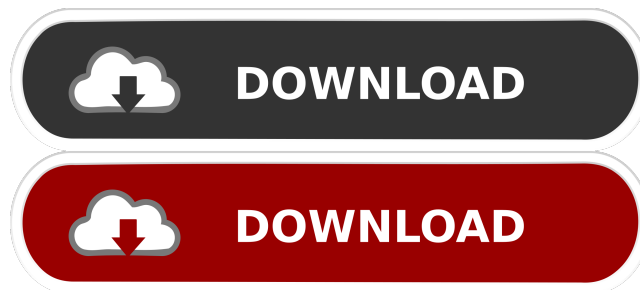


Mikroc Pro For Pic V4.15 Full Cracked Pc



DOWNLOAD: <https://tinurli.com/29ys3t>



2957c398a2

Related links:

<https://coub.com/stories/1274769-x-force-creative-market-2017-key>
<http://cichoponti.unblog.fr/2021/11/30/the-klub-17-7-4-downloadl-alpvan/>
https://wakelet.com/wake/QlpVV_KcpoMIHf39KD3iI
<http://telegra.ph/Wireless-Password-Utorrent-Keygen-Pc-File-11-30>
<https://trello.com/c/t8eR9Uli/25-terramo-zip-cracked-full-professional-windows-registration-x32>

<https://assets.pinshape.com/uploads/image/file/445300/XMedia-Recode-3494-Portable.html>
<https://assets.pinshape.com/uploads/image/file/445301/warlcele.html>
<https://assets.pinshape.com/uploads/image/file/445303/taledays.html>
<https://assets.pinshape.com/uploads/image/file/445302/Soft-Computing-By-Sivanandam-368pdf1.html>
<https://assets.pinshape.com/uploads/image/file/445304/Vovan-Braga-Software.html>