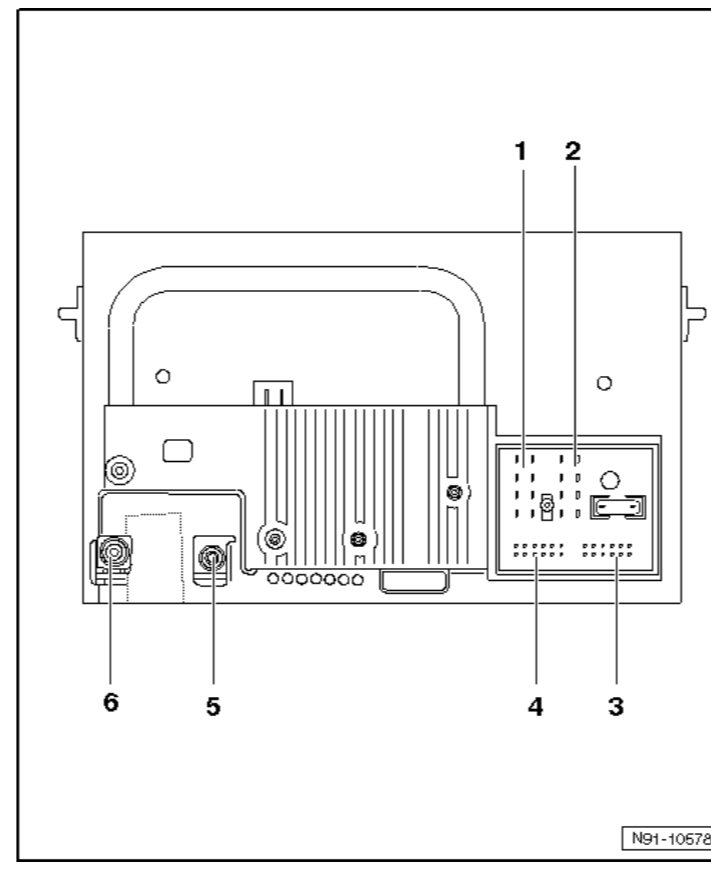


Rns300NavigationCdFree



DOWNLOAD: <https://tinudi.com/29aqqu>



7c2bc87b77

[Metodo De Jazz Trompeta Pdf](#)
[The Night Lands hd full movie download](#)
[ykgoeswild.sheet music november rain.pdf free](#)
[Mainhoonna2004hindi720phdrip15gbshaanig](#)
[Abrindo Portas Interiores Download Pdf](#)

[Volume Spread Analysis Abcs Of Vsa](#)
[Tales Of The Beedle And The Bard Epub To Mobi](#)
[Albumplayer 53e Crack](#)
[Buddah...Hoga Terra Baap movie in hindi 720p](#)
[2006 600 Rmk Service Manual](#)