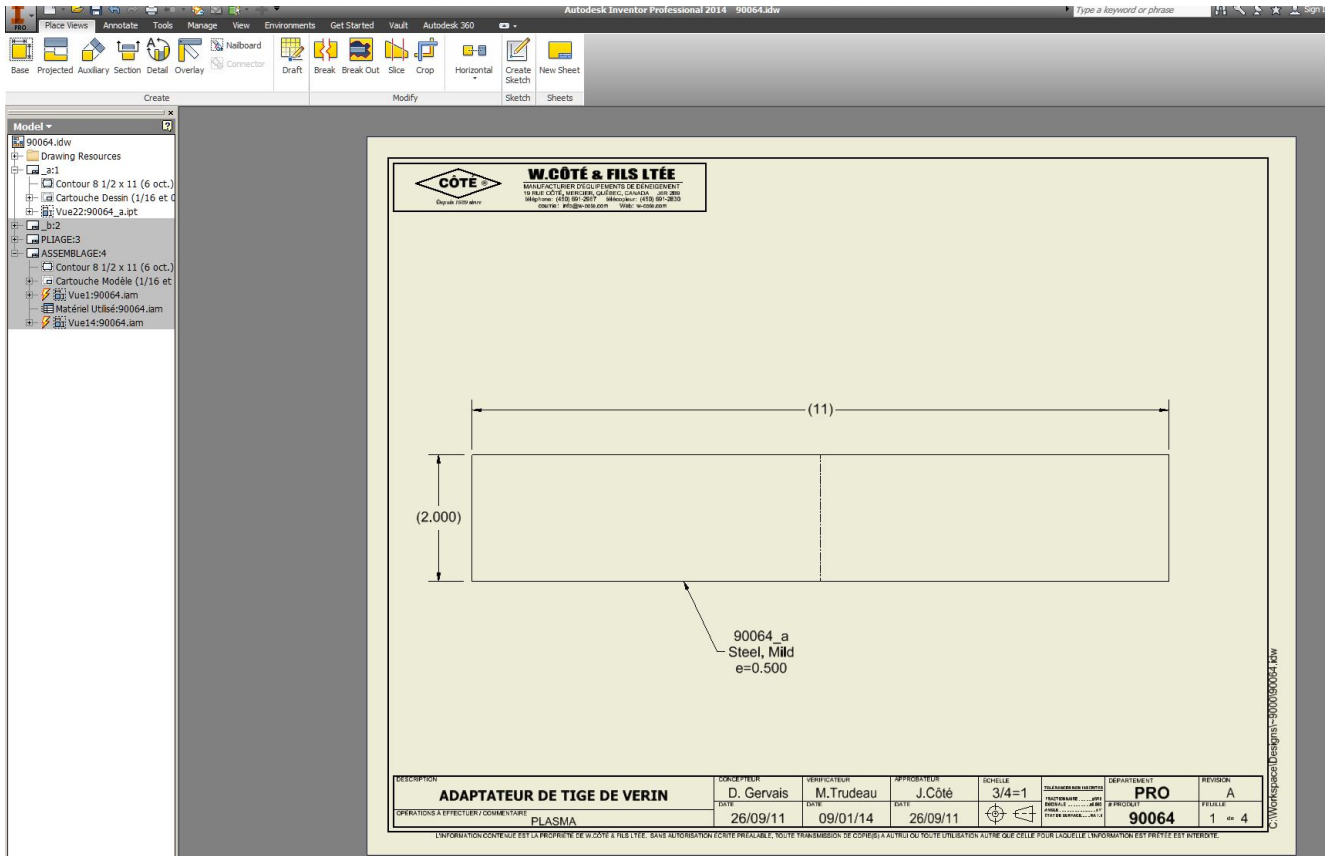


TELECHARGER LE TORRENT AutoCAD Mobile 2014 FRENCH 32 BITS



DOWNLOAD: <https://byltly.com/29cdro>

Download

a9c2e16639

[AnyDVD HD 9.1.4.0 FINAL Crack utorrent](#)
[Girl Private Pae Mother Daughter .zip. shade hours MYEG burgales growth](#)
[Chori Chori Chupke Chupke Hai Mp4 Movie Download](#)
[telugu hindi english dictionary free download pdf](#)
[Yodot Hard Drive Recovery Keygen Torrentl](#)
[The Funky Underground MULTIFORMAT](#)
[GymRun Workout Diary and Fitness Tracker v8.3.5 \[Unlocked\] APK Free Download Free Download](#)
[Bosch Esi Tronic 2013 2 Keygen 16](#)
[Vieille Chatte Interracial Matures](#)
[god of war 3 pc cd keygen generator direct download for pc.rar](#)