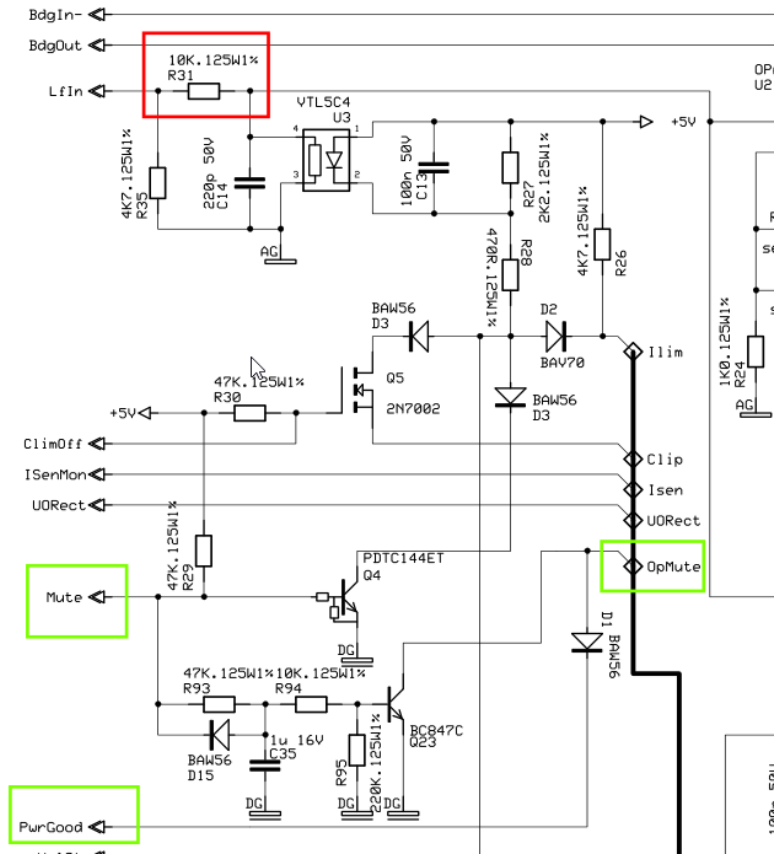


# [FULL] Fp1000q Manual Service



DOWNLOAD: <https://byltly.com/298k0u>



---

a9c2e16639

Related links:

[John Mayer Continuum Tablature Pdf Writer  
piyakegaonmoviemp3songdownload](#)  
[Sandhya Belay Tumi Ami Bose Achi Dujone Mp3 32](#)  
[Abhishaap Kamasutra Ka Tamil Movie Hd Tamil 1080p mercuri sottotitoli](#)  
[PROCESAMIENTODIGITALDEIMAGENESCONMATLABYSIMULinkrar](#)  
[Rtl8723ae Kext For Mountain 12 \(\(FULL\)\)](#)  
[Cadence-Orcad-10.5-Portable.rar .rar](#)  
[Michael Jackson Ghost Music Video Full Version](#)  
[Revista Maxi Tuning Pdf 20 TOP](#)  
[3d live snooker full version keygen 40](#)