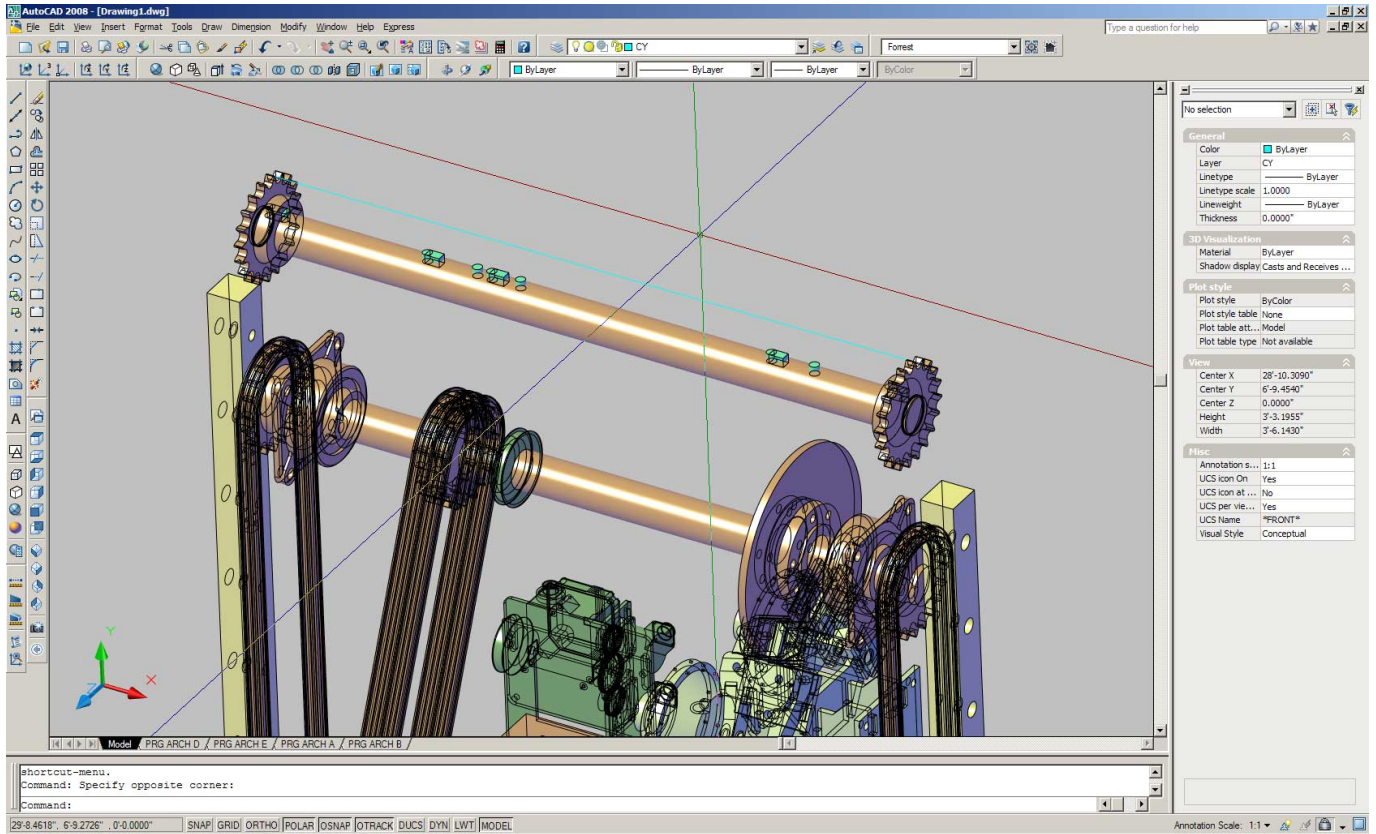


CRACK Autodesk AutoCAD 2010- Keygens Only (X-FORCE 32 64bits) [RH]



DOWNLOAD: <https://byltly.com/297ehs>



---

a9c2e16639

[Epub books collection torrent download Wisht](#)  
[scaricare AutoCAD MEP 2017 key generator 64 bits](#)  
[ricoh webcam driver](#)  
[Kinetic Homework Physics disponibile riassunt](#)  
[Siemens Step 7 Professional \(\(EXCLUSIVE\)\) Crack](#)  
[On Track with the L.A. Kart Club online free](#)  
[Evermotion Archmodels Vol 105 Free Download Letitbit 41](#)  
[Lagaan Once Upon A Time In India The Movie Full Movie Download Kickass](#)  
[Arcon Arquitetura Visual Em Portugues.rar](#)  
[download window 7 64 bit full version free](#)