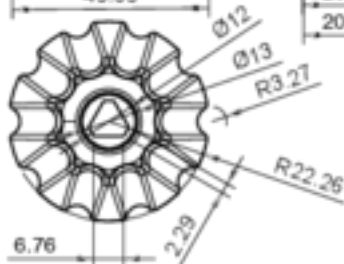
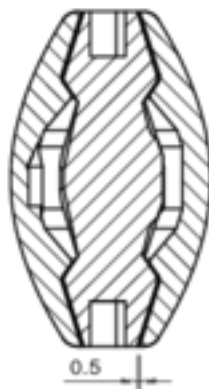
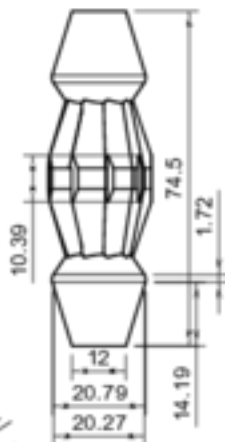
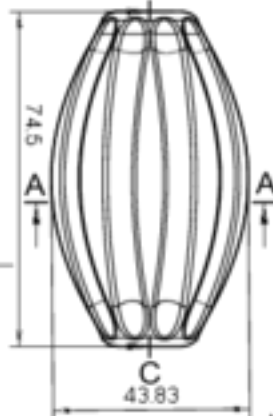
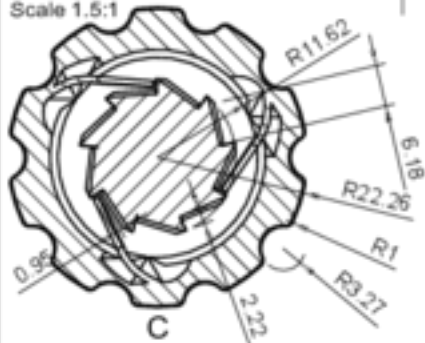


Scale 1.5:1



Dept.	Technical reference	Created by <b>Johan Link</b>	19.04.17	Approved by
		Document type	Document code	
		Title <b>Ratchet Screwdriver (scale 1:1)</b>	DWG No.	
		Rev.	Date of issue	Sheet <b>1/1</b>